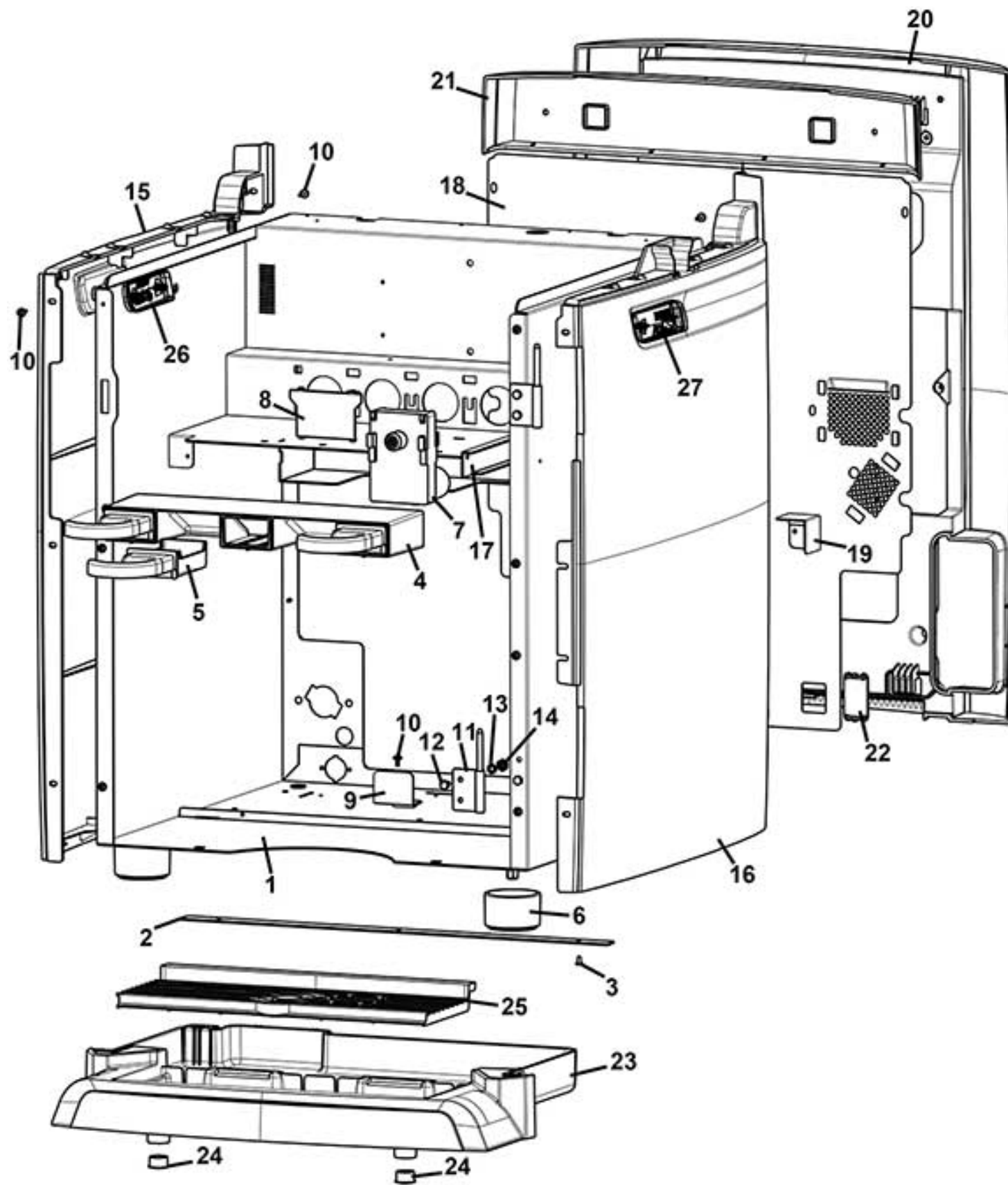


vending machine

[NESCAFE ALEGRIA A8120]

[version 1.1]

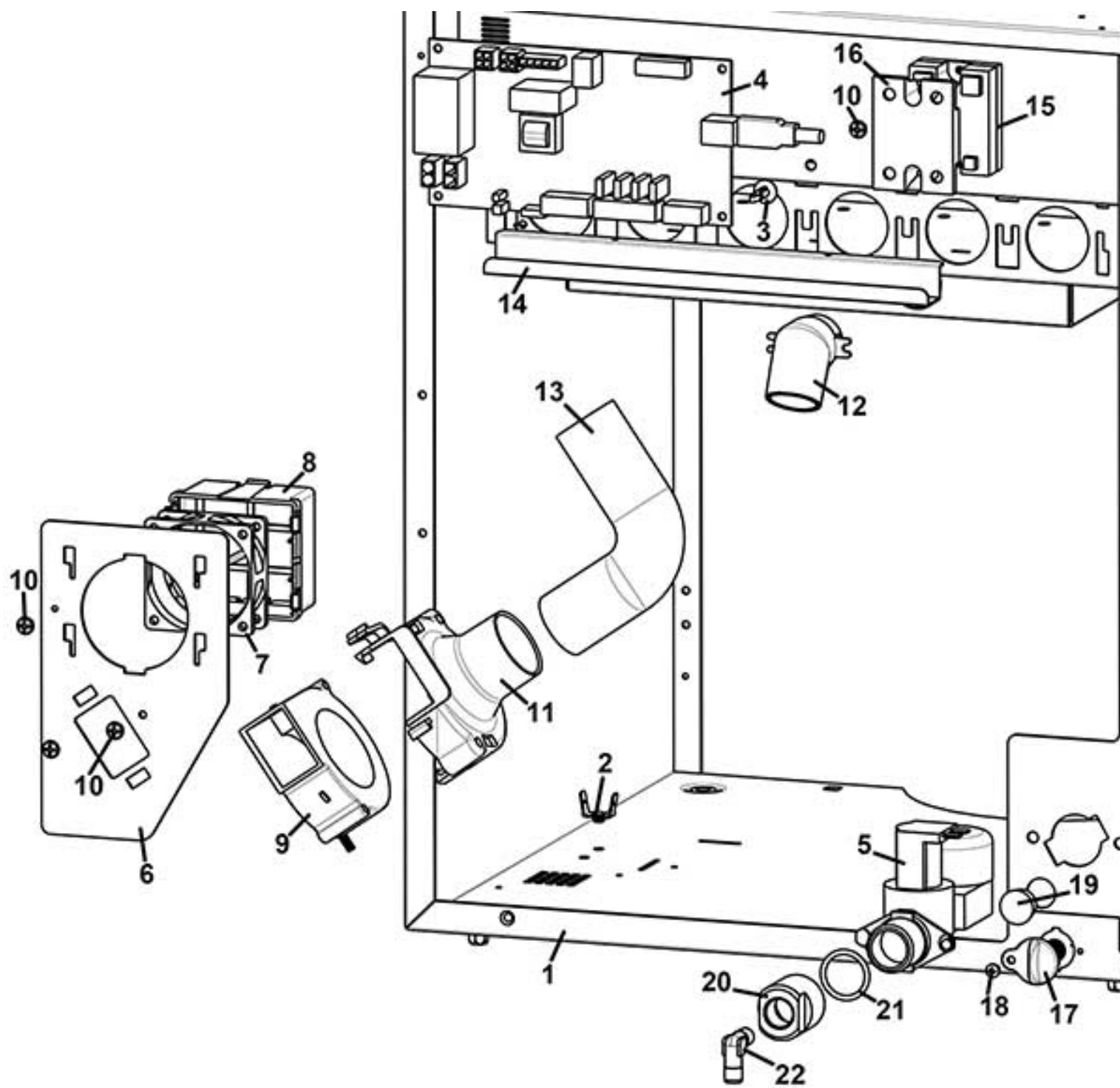
spare parts manual



NESCAFE ALEGRIA A8120 version 1.1

CABINET

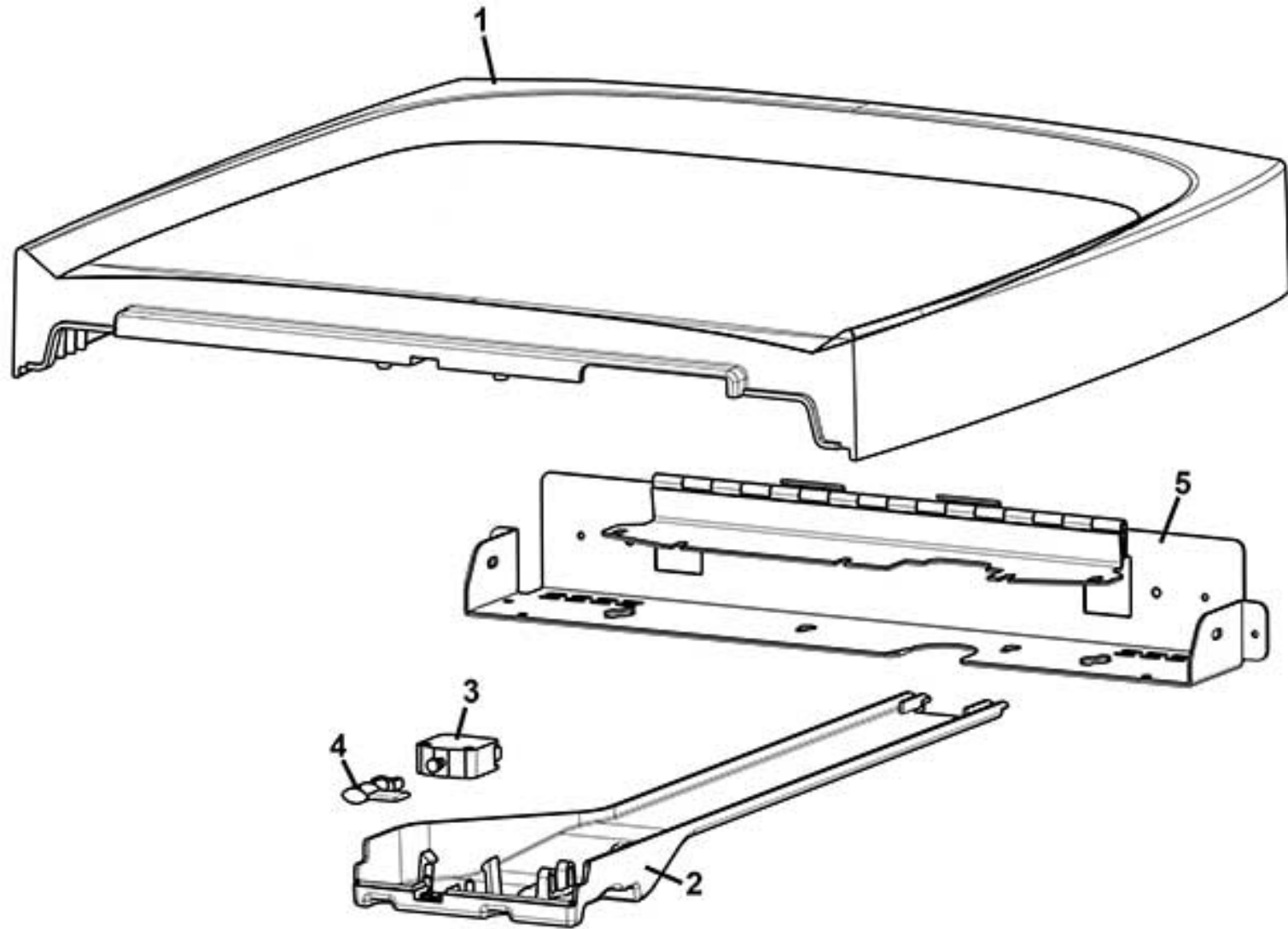
Pos. Code	Description
1 0010024605NA	CABINET (BLACK)
2 0010024609	CABINET BOTTOM SHUTDOWN
3 VIT0007021	3 x 6 ALUMINIUM RIVET
4 0010027036	EXHAUST DRAWER
5 0010027022	EXTERNAL EXHAUST DRAWER
6 0010024111CL1	FEET D. 50x29 BLACK ASSEMBLY
7 0090002113	24V DC 97RPM PRODUCT GEAR MOTOR
8 0010020029NA	BLACK GEAR MOTOR COVER
9 0010020719	FIXING BOILER PLATE
10 VIT0002009	SCREW T.C.B. 3,5 x 6,5
11 0010024337	CABINET HINGE
12 VIT0000204	M 4X8 TSP SCREW
13 VIT0003103	WASHER tab D. 4.3
14 VIT0004503	NUT M 4
15 UNDRL512011NES	1.1 LEFT SIDE ASS.Y POS.15+26
16 UNDRL513011NES	1.1 RIGHT SIDE ASS.Y POS.16+27
17 0130013031NA	WIRING SUPPORT (BLACK COLOR)
18 0010024321NA	BLACK METAL REAR DOOR
19 0010027068	BOILER LOCKING PLATE
20 UNDRL51501NES	REAR PANEL ASS.Y
21 UNDRL6410A	REAR COVER
22 UNDRL6410B	REAR COVER PLUG
23 UNDRL6408100NCL	EXTENDED DRIP TRAY
24 GUA0011010	PLUG
25 UNDRL5500	HOT WATER DRIP TRAY GRILL ASS.Y
26 UNDCM6105ENESSP	LH SIDE BADGE
27 UNDCM6105FNESSP	RH SIDE BADGE



NESCAFE ALEGRIA A8120 version 1.1

REAR CABINET (PLUMBED VERSION)

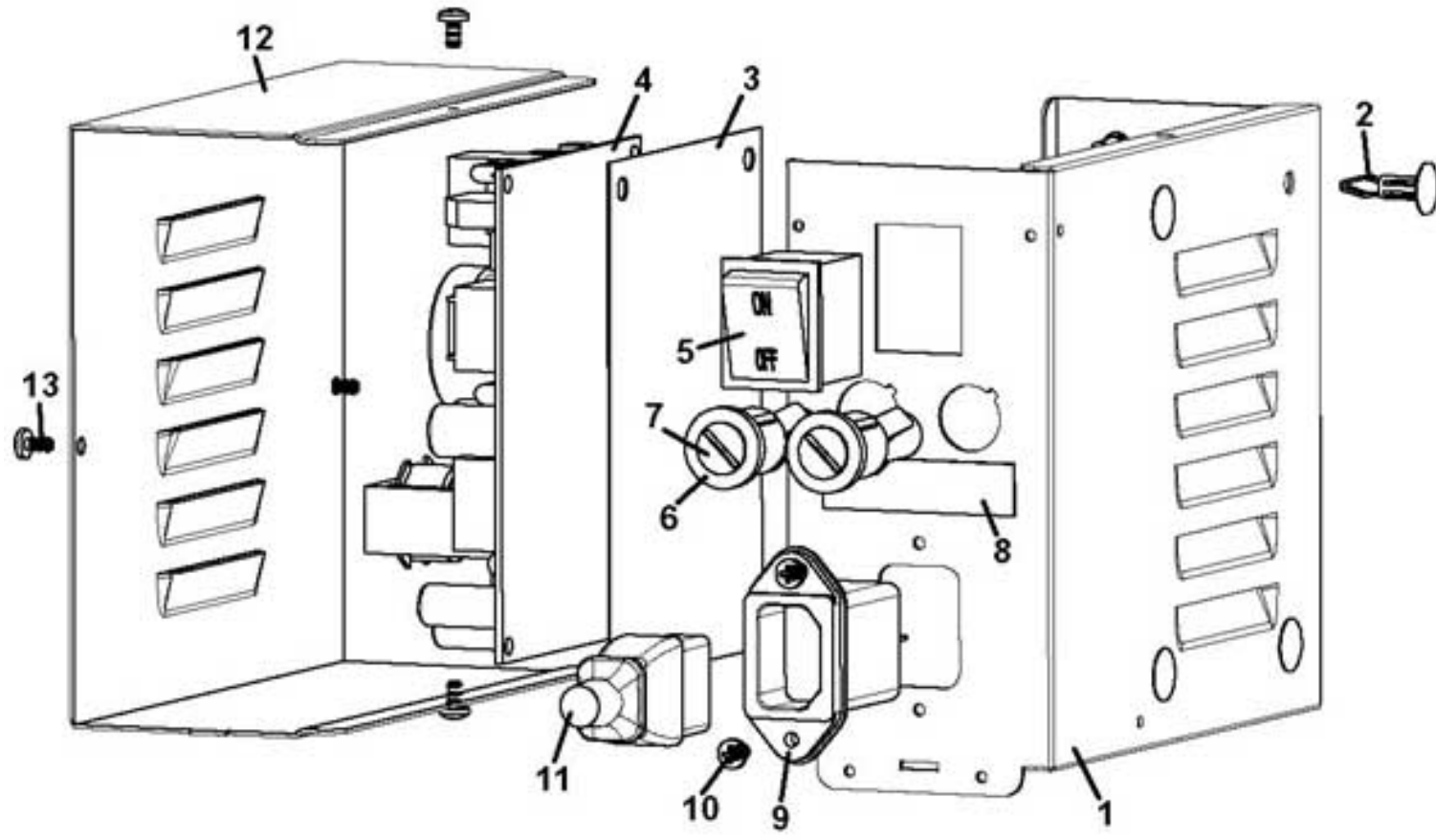
Pos. Code	Description
1 0010024305NA	CABINET-BLACK COLOR
2 ELE0060520	GROUND PIN
3 ELE0062013	PIN BOARD SUPPORT
4 SCH0007960	CPU POWER BOARD
5 0110001119	24V INLET SAFETY VALVE
6 0130013020NA	METAL FAN SUPPORT-BLACK COLOR
7 ELE0000461	AXIAL FAN 24DC- HIGH SPEED
8 0010027064	FAN COVER
9 ELE0000465R	24V DC FAN
10 VIT0002401	SCREW TCB 3.5 x 9.5
11 0010024129NA	BLACK EXHAUSTER SUPPORT
12 0010027043NA	BLACK TUBE CONNECTION
13 TEOL000002CL	EXTERNAL WRINKLED PIPE D.30 L.360MM
14 0130013009	CABLES SUPPORT
15 ELE0001012	RELAY OPT 22
16 ELE0001016	RELAY OPT 22 PROTECTION
17 0600016455	WATER OUTLET PLUG
18 VIT0002009	SCREW T.C.B. 3,5 x 6,5
19 GUA0011010	PLUG
20 0810010558	WATER INLET VALVE CONNECTION
21 GUA0000021	GASKET 130
22 0100001023	ELBOW CONNECTION



NESCAFE ALEGRIA A8120 version 1.1

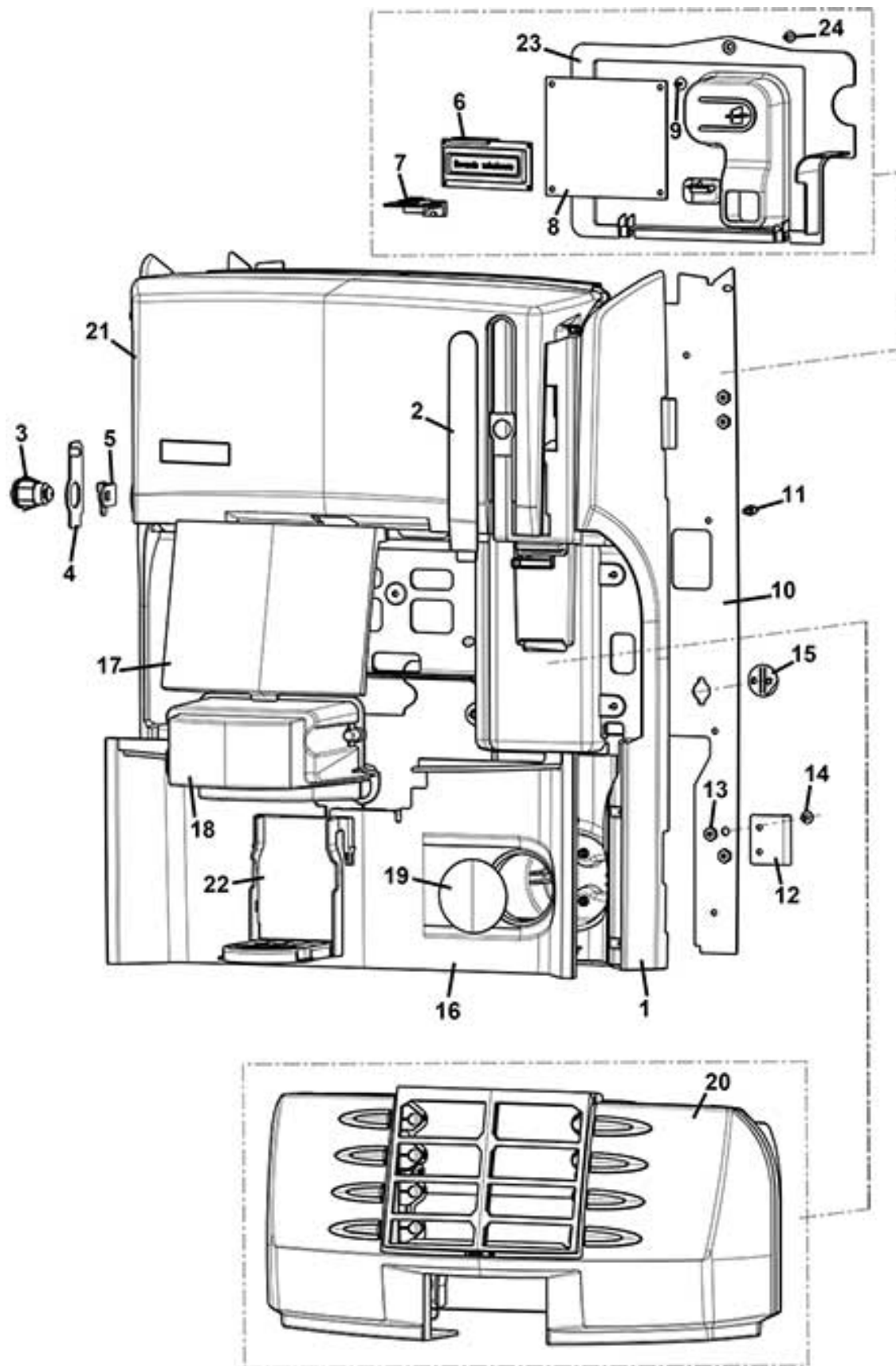
UPPER COVER (PLUMBED VERSION)

Pos. Code	Description
1	UNDRL5140B11NES 1.1 PLUMBED LID ASS.Y (POS.1 + 2)
2	UNDRL610811SP 1.1 LID INTERLOCK COVER
3	ELE0002019 DOOR SWITCH 16A-250V UL
4	0270011109IC ORANGE SERVICE KEY
5	0010024630NA METAL LID HINGE (BLACK)



NESCAFE ALEGRIA A8120 version 1.1*SWITCHING UNIT*

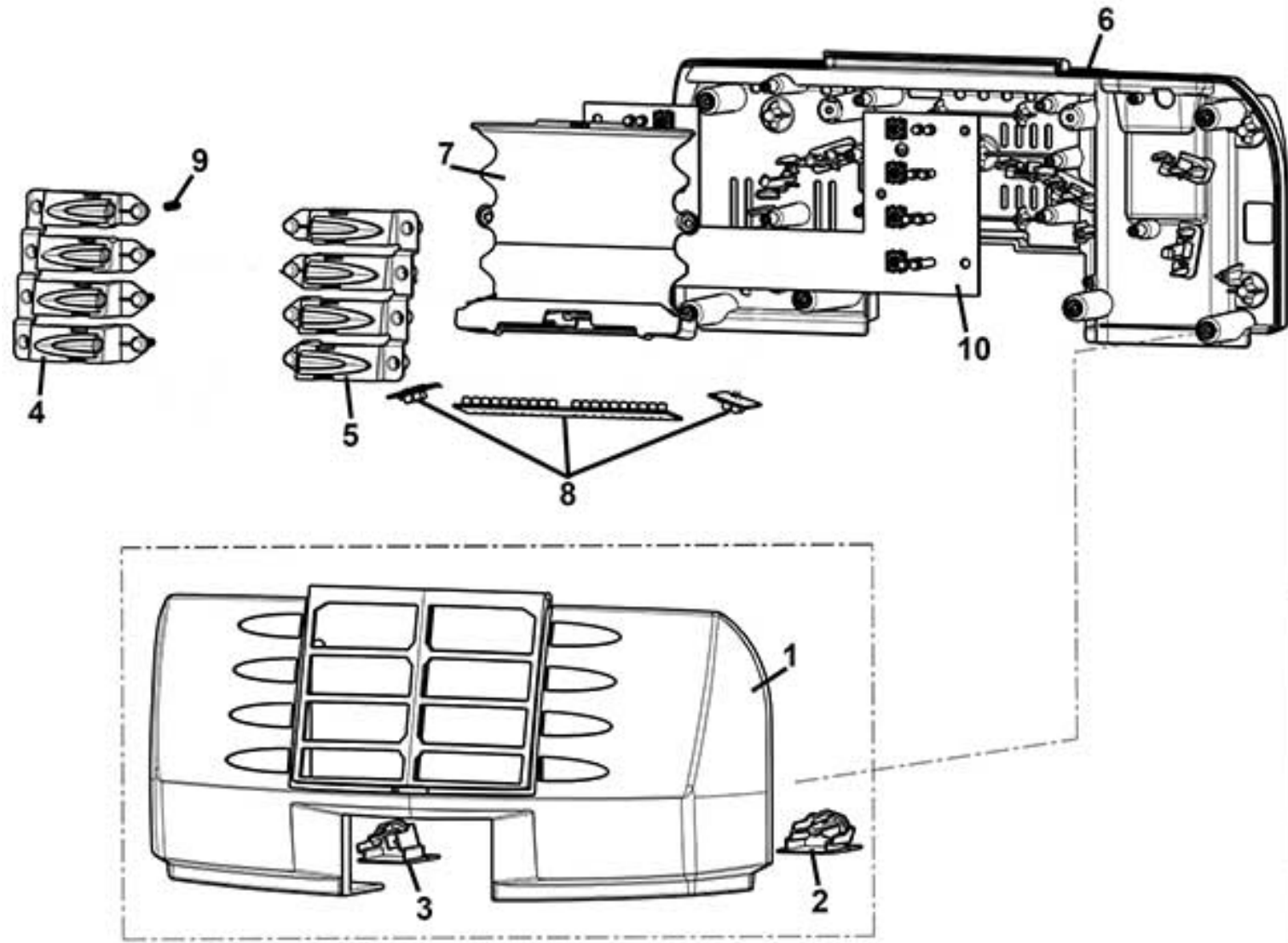
Pos. Code	Description
1 0130013044	SWITCHING RIGHT UNIT 16A
2 ELE0062020	PIN BOARD SUPPORT
3 0130013014	SWITCHING BOARD PROTECTION
4 SCH0007622	SWITCH. BOARD 220V U24V-5V "CE"
5 ELE0002014	BIPOLAR SWITCH 15A 250V
6 ELE0003509	FUSES HOLDER 16/20A 250V
7 ELE0003043	16A 6,3x32 RAPID FUSE
8 1010100116	FUSE LABEL 16A
9 ELE0002318	SOCKET 115/250V 20/16A WITH FILTER
10 VIT0002009	SCREW T.C.B. 3,5 x 6,5
11 ELE0055012	POWER LEAD SCHUKO-SOCKET IEC 16A
12 0130013043	SWITCHING LEFT UNIT
13 VIT0002009	SCREW T.C.B. 3,5 x 6,5
100 0130013041CL	16A_1 SWITCHING BOARD CABINET ASS.Y EXCLUDED POS. 11



NESCAFE ALEGRIA A8120 version 1.1

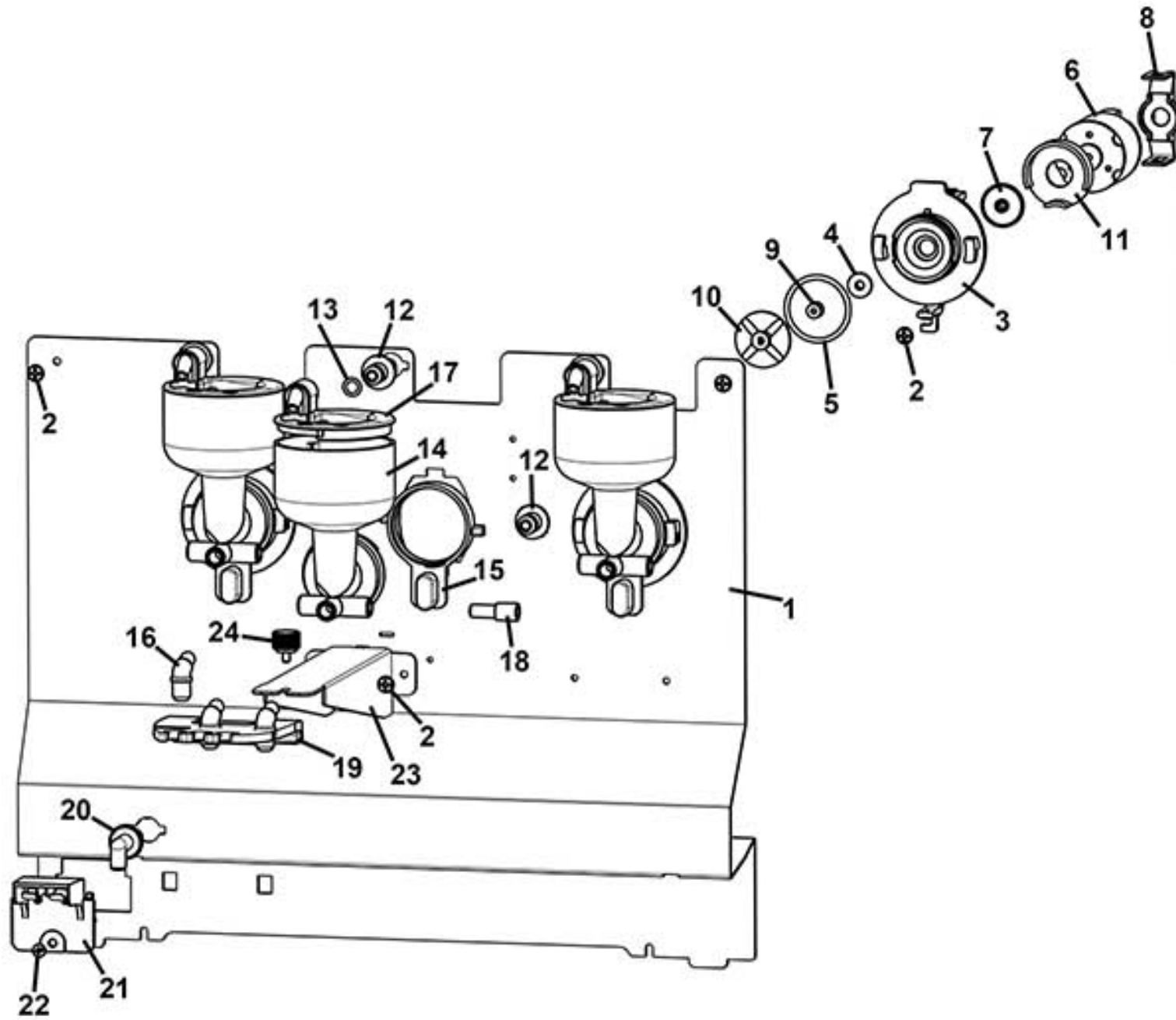
DOOR

Pos. Code	Description
1	UNDRL620111SP 1.1 MAIN DOOR PANEL
2	UNDRL6210ANES COIN MECH.BLANKING PLATE
3	SER0000020 LOCK
4	0020039617 LOCK PLATE
5	0020037015 LOCK BRACKET
6	SCH0009400 DISPLAY
7	SCH0005860 FLASH BOARD
8	SCH0008681 1.1 INTERFACE KEYBOARD BOARD
9	VIT0002005 3.9x 9.5 TAPPING TCB SCREW
10	0020039623NA DOOR REAR PLATE (BLACK)
11	0020035314 DOOR CENTERING PIN
12	0010024334 DOOR HINGE
13	VIT0003103 WASHER tab D. 4.3
14	VIT0000041 TRILOBATE TCB M4x8 SCREW
15	0080100035NA BLACK PLUG
16	UNDRL620411SP 1.1 SPLASH BACK
17	UNDRL6304SP MENU PANEL LENS
18	UNDRL630511SP 1.1 NOZZLE
19	UNDCM6504NESSP DIAL BLANKING PLATE
20	See table KEYBOARD
21	UNDRL521011NESP 1.1 ALEGRIA GLAMOUR DOOR ASS.Y
22	UNDRL5230SP ESPRESSO CUP STAND ASSEMBLY
23	UNDRL6212 SERVICE PANEL
24	VIT0000012 SCREW T.C.B. M 4 x 10



NESCAFE ALEGRIA A8120 version 1.1**KEYBOARD**

Pos. Code	Description
1 UNDR6301SP	CONTROL PANEL
2 UNDCM6311ASP	LH DOWN LIGHT LENS
3 UNDCM6311BSP	RH DOWN LIGHT LENS
4 UNDR5340SP	LH BUTTON ASS.Y
5 UNDR5350SP	RH BUTTON ASS.Y
6 UNDR6202SP	DIFFUSER LENS
7 UNDR6310A+BSP	REFLECTOR (2PARTS)
8 UNDCM6605A+BSP	HALO LIGHTING+DOWN LIGHTING
9 UNDCM6301	SPRING
10 SCH0008661	1.1 KEYBOARD BOARD

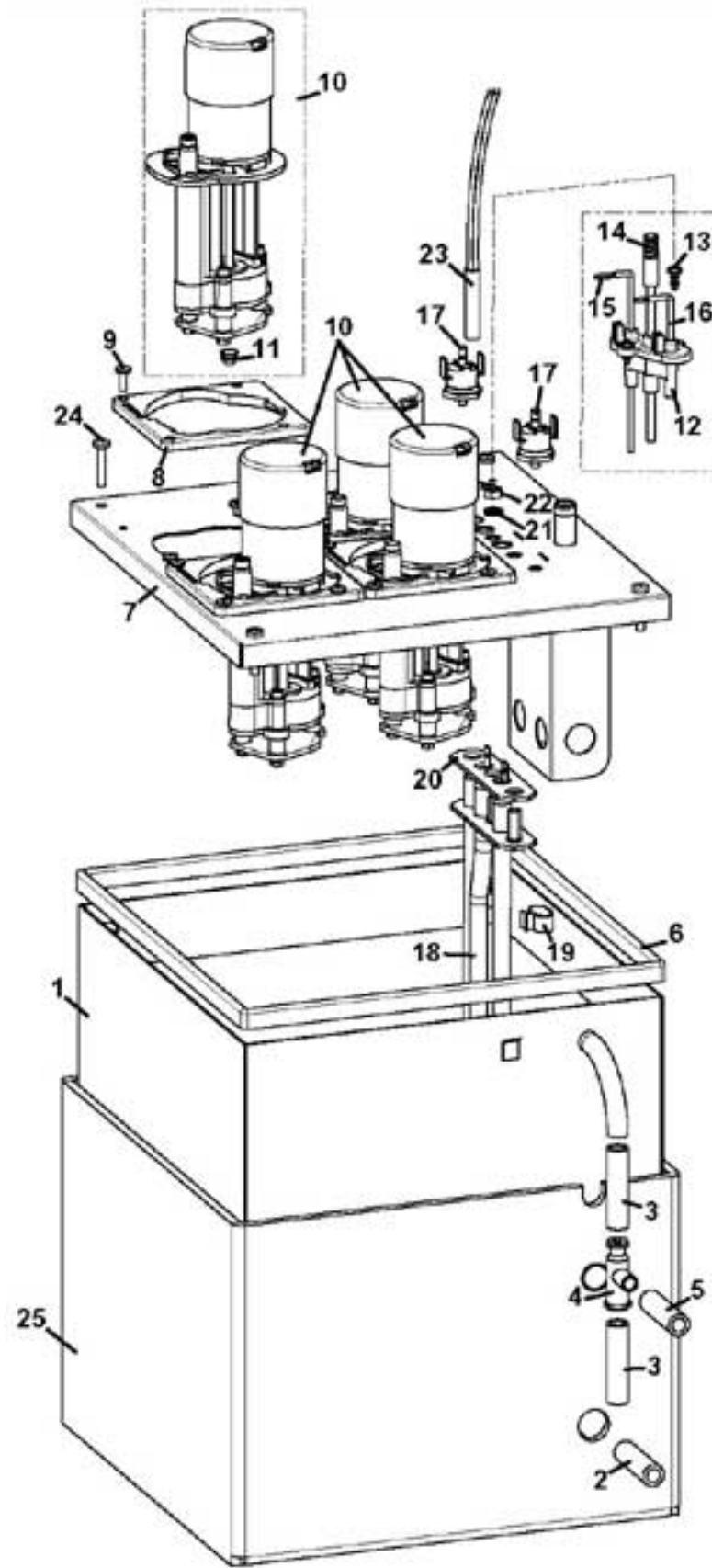


NESCAFE ALEGRIA A8120 version 1.1

MIXER PLAN - INSTANT VERSION - (WITH DIRECT HOT WATER AND 3 MIXERS)

Pos. Code	Description
1 0070030450NA	METAL MIXER SUPPORT (BLACK)
2 VIT0002401	SCREW TCB 3.5 x 9.5
3 0080100005	MIXER BASE
4 0080100015	MIXER BASE BUSH
5 GUA0000084	GASKET 3131
6 0090003023	24 V DC MIXER MOTOR SHAFT D.4
7 0080100024	DRIP TRAP FAN
8 0080100009IC	ORANGE MOTOR CONNECTION COVER
9 0080100101	MIXER GASKET - SHAFT D.4
10 0080100011	SMALL FAN MIXER SHAFT D.4
11 0080100023IC	ORANGE MIXER COVER
12 0080100043	WATER OUTLET
13 GUA0000085	SILICONE GASKET 106
14 0080100041	MIXER WITH BODY
15 0080100006IC	ORANGE STOPPER RING
16 0020039547	D.8 SPOUT DELIVERY
17 0080100042	MIXER RING WITH INLET PIPE
18 0080100095	COFFEE OUTLET REDUCTION D.4
19 0020039549NA	PLASTIC SUPPORT PRODUCT PIPE (BLACK)
20 0080100084	90° CONNECTION
21 0010020836CL	TRAY CONTACTS SUPPORT ASSEMBLY
22 VIT0002009	SCREW T.C.B. 3,5 x 6,5
23 0070030309NA	METAL SUPPORT PRODUCT PIPE (BLACK)
24 VIT0009168	KNURLED KNOB
100 0080100001R	MIXER BASE+MOTOR ASSEMBLY FROM POS.3 TO POS. 11

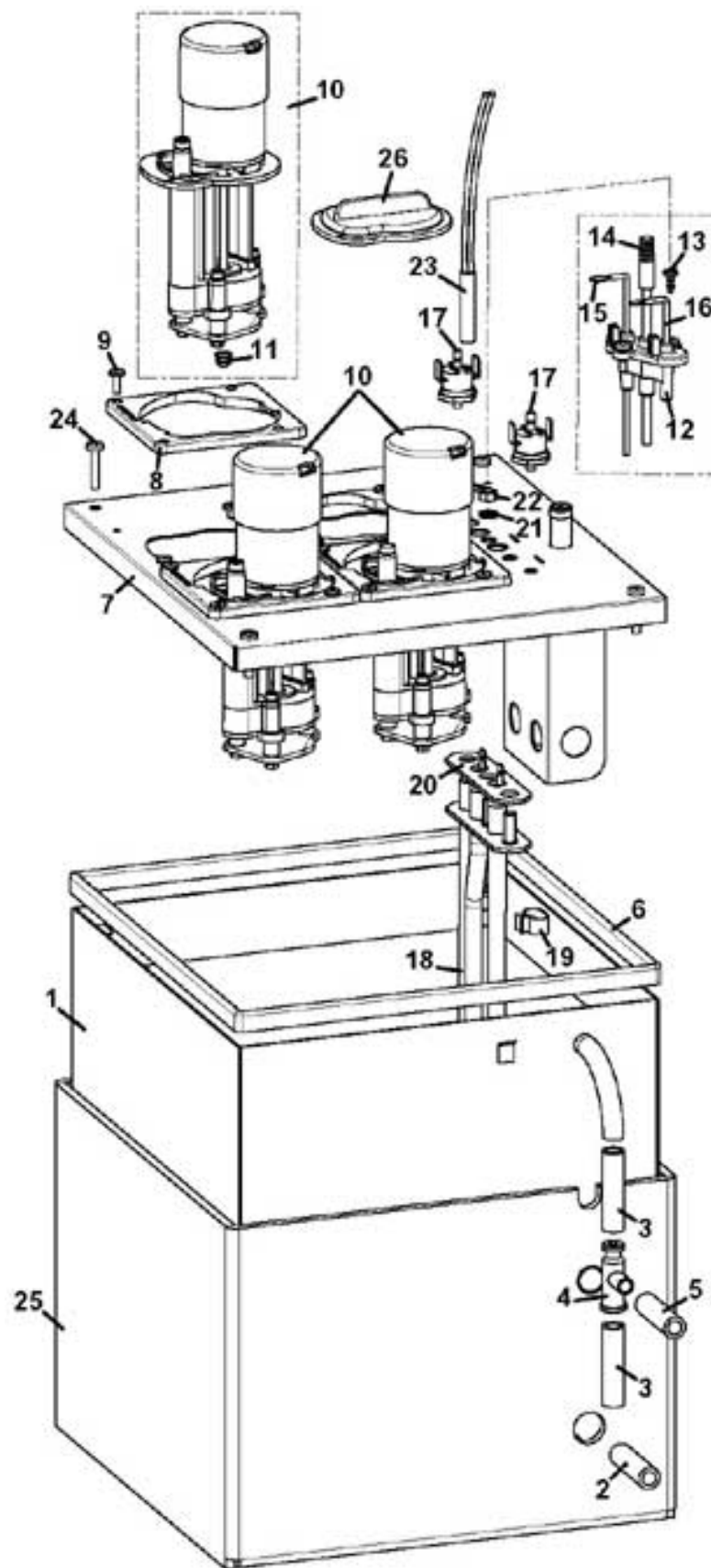
assieme



NESCAFE ALEGRIA A8120 version 1.1

4 PUMPS BOILER

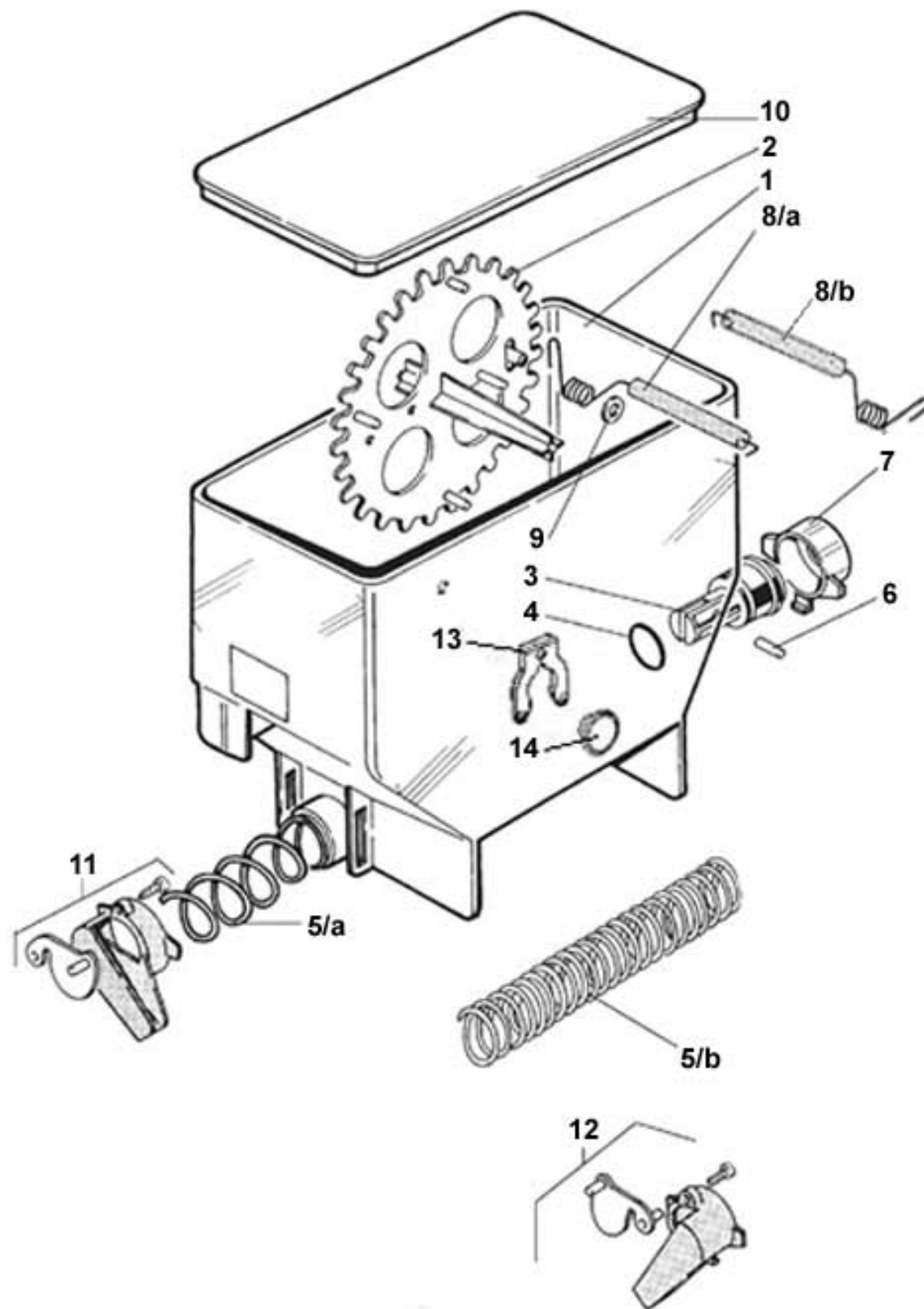
Pos. Code	Description
1 0600016355	BOILER TANK
2 TSIL10/14T	TRANSPARENT SILICONE PIPE D.10 x 14
3 TSIL07/11T	TRANSPARENT SILICONE PIPE D.7 x 11
4 0600016028	"T" UNION
5 TSIL05/08T	TRANSPARENT SILICONE PIPE D.5 x 8
6 GUA0005019	PROFILE GASKET 10x4mm
7 0600016361	4 PUMPS BOILER COVER
8 0600012462	PUMP ADAPTER
9 VIT0007036	INOX RIVET 3 x 10
10 0600016405R	BOILER PUMP ASSEMBLY
11 0080100101	MIXER GASKET - SHAFT D.4
12 0600016059	PROBE SUPPORT
13 VIT0002015	TAPPING SCREW TCB 3,5 x 9,5
14 ELE0000963R	SOLUBLE PROBE+CONTACTS
15 0600016053	WATER PROBE
16 0600016054	MAX WATER LEVEL PROBE
17 ELE0000980	MANUAL RESET THERMOSTAT 92°C
18 0600016363	230V 2600 W HEATING ELEMENT
19 0600016369	SPRING OF CONTAINMENT
20 0600016084	HEATING ELEMENT GASKET
21 VIT0003203	STAINLESS STEEL FLAT WASHER D.5.3 x 10 x 1
22 VIT0004804	STAINLESS STEEL NUT M5
23 ELE0003026CL	121° THERMOFUSE ASSEMBLY
24 VIT0001011	SCREW T.C.B. M 4x20
25 0600016364	BOILER INSULATION
100 0600016350CL	230V 4PUMPS 1 HEATING ELEMENT BOILER FROM POS.1 TO POS. 24



NESCAFE ALEGRIA A8120 version 1.1

3 PUMPS BOILER

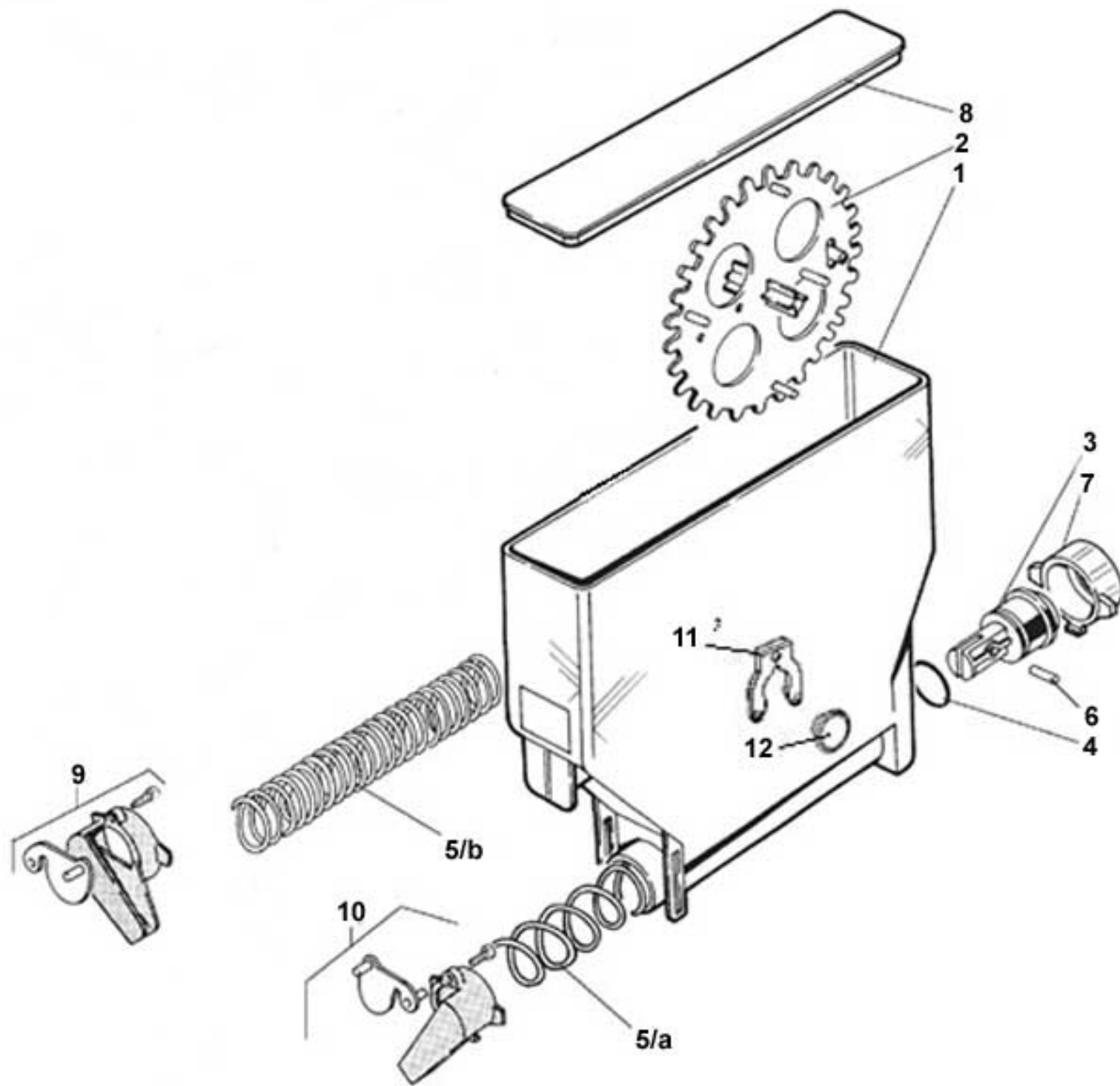
Pos. Code	Description
1 0600016355	BOILER TANK
2 TSIL10/14T	TRANSPARENT SILICONE PIPE D.10 x 14
3 TSIL07/11T	TRANSPARENT SILICONE PIPE D.7 x 11
4 0600016028	"T" UNION
5 TSIL05/08T	TRANSPARENT SILICONE PIPE D.5 x 8
6 GUA0005019	PROFILE GASKET 10x4mm
7 0600016361	4 PUMPS BOILER COVER
8 0600012462	PUMP ADAPTER
9 VIT0007036	INOX RIVET 3 x 10
10 0600016405R	BOILER PUMP ASSEMBLY
11 0080100101	MIXER GASKET - SHAFT D.4
12 0600016059	PROBE SUPPORT
13 VIT0002015	TAPPING SCREW TCB 3,5 x 9,5
14 ELE0000963R	SOLUBLE PROBE+CONTACTS
15 0600016053	WATER PROBE
16 0600016054	MAX WATER LEVEL PROBE
17 ELE0000980	MANUAL RESET THERMOSTAT 92°C
18 0600016363	230V 2600 W HEATING ELEMENT
19 0600016369	SPRING OF CONTAINMENT
20 0600016084	HEATING ELEMENT GASKET
21 VIT0003203	STAINLESS STEEL FLAT WASHER D.5.3 x 10 x 1
22 VIT0004804	STAINLESS STEEL NUT M5
23 ELE0003026CL	121° THERMOFUSE ASSEMBLY
24 VIT0001011	SCREW T.C.B. M 4x20
25 0600016364	BOILER INSULATION
26 0600016422	COVER FOR HOLE PUMP
100 0600016351CL	230V 3PUMPS 1 HEATING ELEMENT BOILER FROM POS.1 TO POS. 24+26



NESCAFE ALEGRIA A8120 version 1.1

BIG PRODUCTS CONTAINER

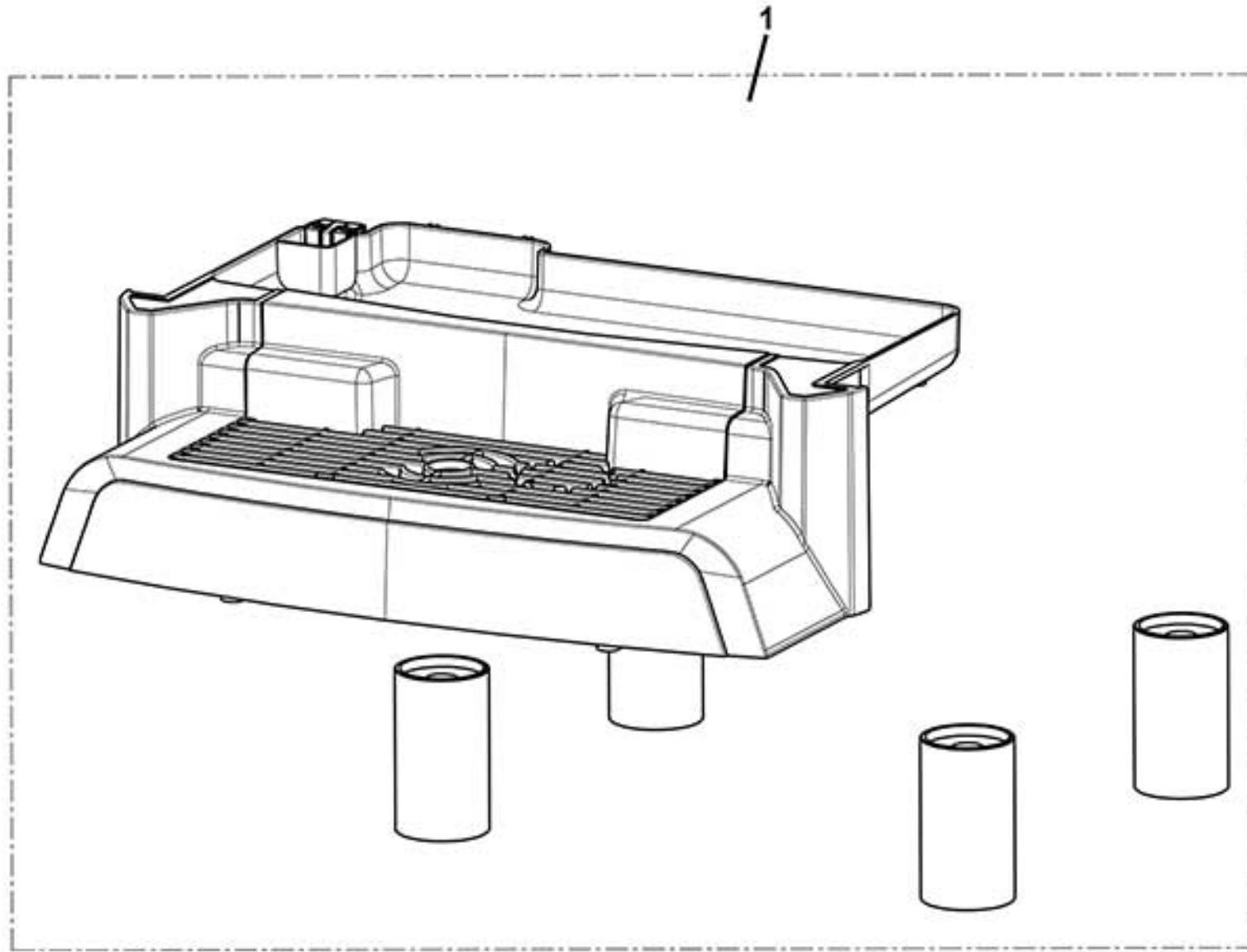
Pos. Code	Description
1 0230030520	INGREDIENT CONTAINER MM110 H190 WITH PINS
2 0230030237	MIXER GEAR mm.110
3 0230030012	AUGER PIN
4 GUA0000083	GASKET 123
5/a 0230030014	AUGER P.18
5/b 0230030013	AUGER P.9
6 VIT0005301	ELASTIC PIN D.2 x 14
7 0230030011	REAR BUSH
8/a 0230030041	INGREDIENT MIXER 112 mm
8/b 0230030042	INGREDIENT MIXER 112 mm LEFT OUTLET
9 VIT0003210	STAINLESS STEEL FLAT WASHER D. 8.4 x 14 x 1.6
10 0230030158	CONTAINER LID 110 mm.
11/a 0230030058R	RIGHT PRODUCT FEEDER (BIG HOLE-ORANGE))
11/b 0230030044R	RIGHT PRODUCT FEEDER (SMALL HOLE-RED)
12/a 0230030043R	LEFT PRODUCT FEEDER (SMALL HOLE-RED)
12/b 0230030057R	LEFT PRODUCT FEEDER (BIG HOLE-ORANGE)
13 0230030239	GEAR PIN FORK
14 0230030238	GEAR ROTATION PLUG
100 0230030522R	INGREDIENT CONTAINER 110MM H190 WITH PINS-AUGER 18-RIGHT OUTLET-WITH LID FROM POS. 1 TO POS. 14 (EXCLUDED POS.11+12+8/B+5/B)
102 0230030525R	INGREDIENT CONTAINER 110MM H190 WITH PINS-AUGER 18-LEFT OUTLET-WITH LID FROM POS. 1 TO POS. 14 (EXCLUDED POS. 11+12+8/A+5/B)
103 0230030521R	INGREDIENT CONTAINER 110MM H190 WITH PINS-AUGER 9-RIGHT OUTLET-WITH LID FROM POS. 1 TO POS. 14 (EXCLUDED POS.11+12+8/B+5/A)



NESCAFE ALEGRIA A8120 version 1.1

SMALL PRODUCTS CONTAINER

Pos. Code	Description
1 0230030500	INGREDIENT CONTAINER MM54 H190 WITH PINS
2 0230030236	MIXER GEAR
3 0230030012	AUGER PIN
4 GUA0000083	GASKET 123
5/a 0230030014	AUGER P.18
5/b 0230030013	AUGER P.9
6 VIT0005301	ELASTIC PIN D.2 x 14
7 0230030011	REAR BUSH
8 0230030156	CONTAINER COVER 54 mm.
9/a 0230030058R	RIGHT PRODUCT FEEDER (BIG HOLE-ORANGE))
9/b 0230030044R	RIGHT PRODUCT FEEDER (SMALL HOLE-RED)
10/a 0230030057R	LEFT PRODUCT FEEDER (BIG HOLE-ORANGE)
10/b 0230030043R	LEFT PRODUCT FEEDER (SMALL HOLE-RED)
11 0230030239	GEAR PIN FORK
12 0230030238	GEAR ROTATION PLUG
100 0230030506R	INGREDIENT CONTAINER 54 H190- WITH PINS-AUGER 18-WITH LID
101 0230030502R	INGREDIENT CONTAINER 54 H190- WITH PINS-AUGER 9-WITH LID



NESCAFE ALEGRIA A8120 version 1.1

OPTIONAL KIT

Pos. Code	Description
1 UNDR5465NES	JUG SIZED DRIP TRAY ASSEMBLY